

INSTALLATION GUIDE

Handi-Garden Shed



HANDI-GARDEN

Crisp, clean and uncluttered lines are a feature of this attractive and economical garden shed. The Handi-Garden Shed is a simple, well designed storage unit that comes in a size to suit every lifestyle and backyard requirement. An uncluttered interior structure, combined with bold attractive lines on the outside, make Handi-Garden Sheds more than just a practical addition to the garden. Quality construction means your Handi-Garden Shed will be a lasting investment.

TOOLS REQUIRED

- Rivet Gun
- Vice Grips
- Step Ladder
- Tape Measure
- Power Drill and 1/8" Drill Bit
- Permanent Marker
- Pliers
- Tin Snips
- Gloves
- Level and String Line
- Plumb Line
- Caulking Gun
- Silicone Sealant



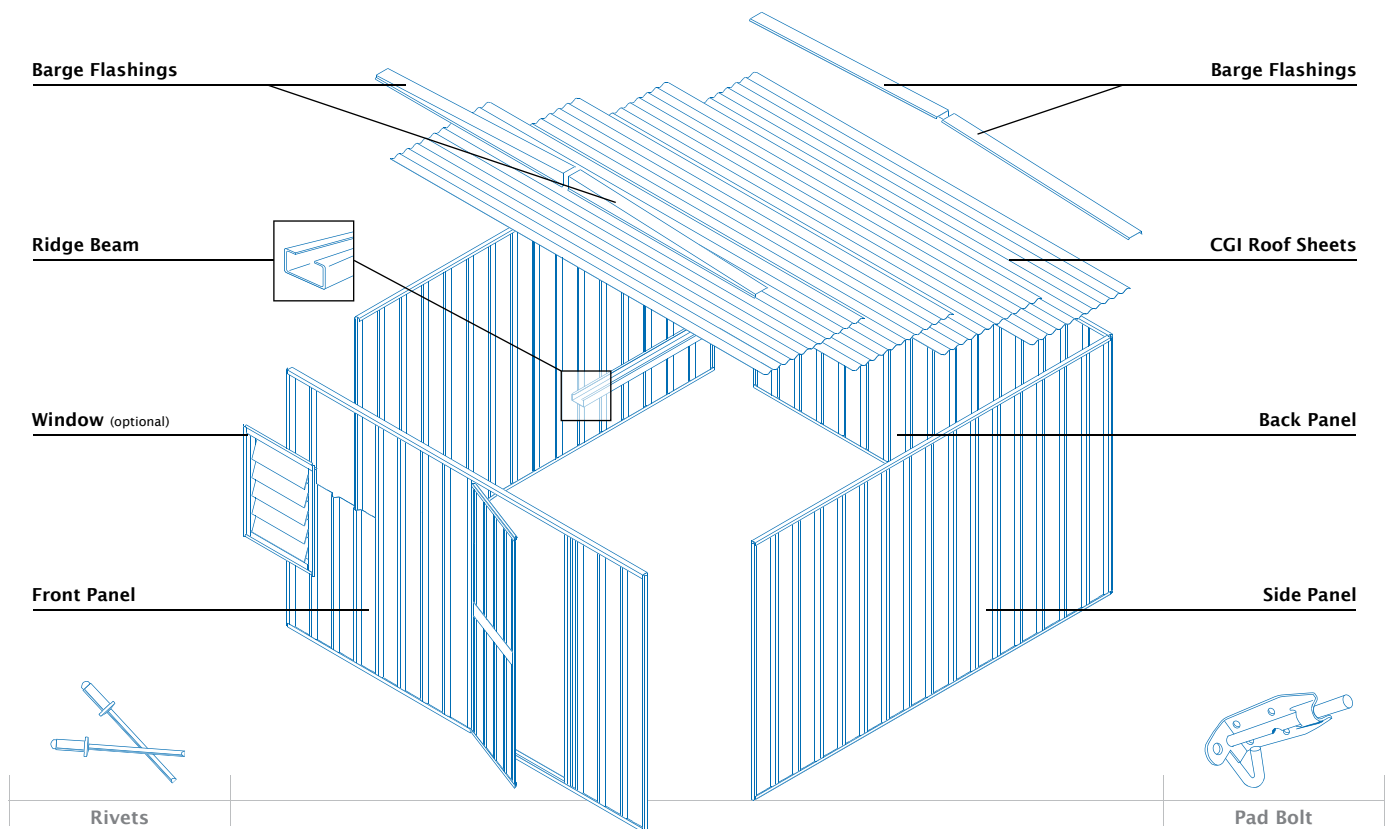
BEFORE YOU START

Prior to installation, contact your local government authority to determine if building approval is required. To ensure the installation of your Stratco Handi-Garden Shed goes smoothly, you should confirm that all the materials listed on the delivery document have been supplied. Carefully read this brochure to familiarise yourself with the steps involved and to ensure you have the correct tools and equipment for the job.

- NOTE:**
- Use heavy gloves when handling steel sheeting and flashings.
 - Never attempt to install a shed in windy conditions.
 - Some components may vary between States.
 - The shed dimensions are measured from the edges of the roof.

Model Number	SHED SIZE		
	Width	Depth	Wall Height
N1	1.67	0.87	1.90m
N2	1.67	1.61	1.90m
N3	2.44	0.87	1.90m
N4	2.44	1.61	1.90m
N5	2.44	2.38	1.90m
N6	3.19	1.61	1.90m
N7	3.19	2.38	1.90m
N8	3.19	3.13	1.90m
N9	3.95	1.61	1.90m
N10	3.95	2.38	1.90m
N11	3.95	3.13	1.90m

COMPONENTS



SITE PREPARATION

IMPORTANT NOTE It is essential to clear and level the construction site before assembling your Stratco Handi-Garden Shed.

Concrete Floor

Option 1 – Before building the shed, pour a base that is larger than the area by at least 200mm in each direction. The base should be poured so that the concrete outside the shed floor area slopes away from the shed to help prevent water from entering the shed.

Option 2 – Substantial concrete squares may be used at each anchor location as an alternative to a complete concrete floor.

ASSEMBLY

Walls

Carefully lay all four panels on the ground in their correct positions (Figure 1). With the aid of another person, lift the back panel and one of the two adjacent side panels into the vertical position.

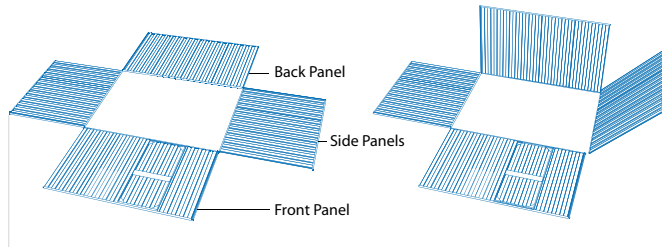


Figure 1

Ensure the corners of the panels are lapped correctly. Drill four evenly spaced holes through both the overlaps (Figure 2) and secure with rivets (Figure 3). Use the same method to attach the other side panel and then the front panel of the shed.

To make sure the shed is square, measure the diagonals. They should be equal lengths.

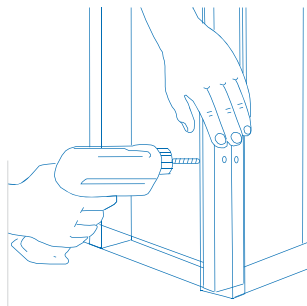


Figure 2

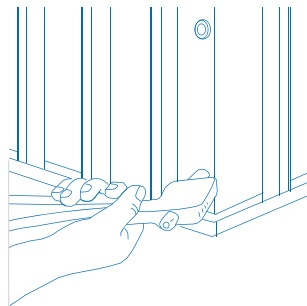


Figure 3

Ridge Beam

On the top edge of the front and back panels, measure the centre of the shed and mark it so that the ridge beam can be centered correctly (Figure 4). After drilling pilot holes, fix the ridge beam to the top of the wall panel with the rivets provided (Figure 5).

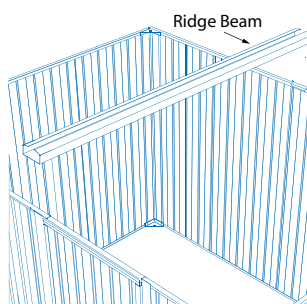


Figure 4

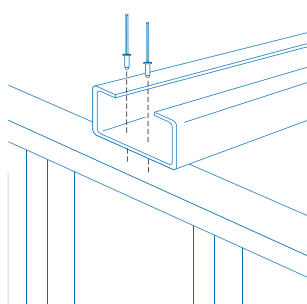


Figure 5

CGI Roof Sheets

Position the first corrugated roof sheet so it is level with the front or back panel (depending on where you start). Allow an even overlap on both sides of the side panels. Rivet the sheet (in the valley of the corrugations) to the top of one of the side panels. Weatherproof the rivets with silicone.

When one end of the corrugated roof sheet is secured, push down on the other end to create a small arc over the ridge beam. Ensuring the sheet is flush with the front wall, rivet the sheet to the top of the remaining side panel (Figure 6).

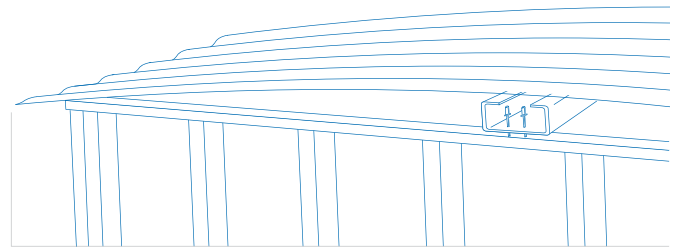


Figure 6

The corrugated sheets should be laid directly from the pack, side by side, with a one and a half corrugation overlap. The sheets should be laid into the prevailing wind (Figure 7).

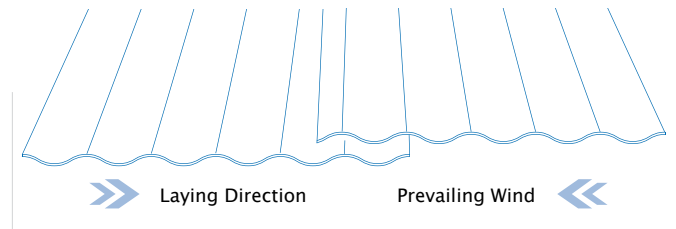


Figure 7

Barge Flashing

When all the roof sheets are positioned, fix the barge flashings to the roof sheets (Figure 8). These overlap each other to provide a firm seal.

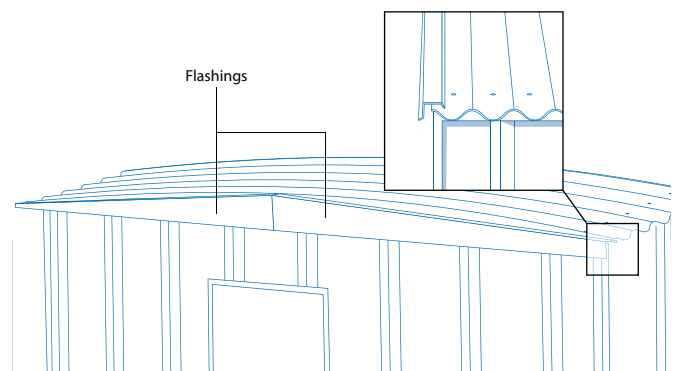


Figure 8

CONTACT

1300 165 165

PAD BOLT

Position the pad bolt and latch where they will be fixed (the pad bolt sits on the door, and the latch sits on the frame). Drill the necessary pilot holes and fix the pad bolt and latch through the holes with rivets (Figure 9).

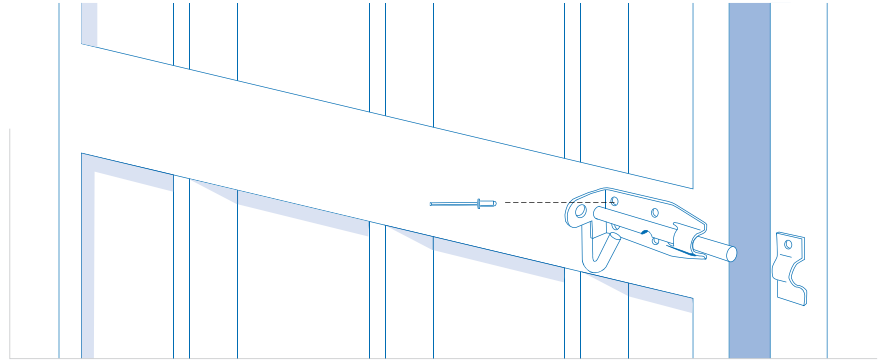


Figure 9

SECURE THE SHED

The installer is responsible for ensuring the slab or concrete squares are sufficient to support the shed and sustain wind loading. Do not anchor your shed directly to pavers.

The shed must be securely bolted to a permanent concrete base with sufficient masonry anchors to prevent wind uplift. It is particularly important that masonry anchors are placed within 100mm of the shed corners and openings.

MAINTENANCE

Your Stratco Handi-Garden Shed will maintain its good looks for even longer with a simple wash and wipe down. Cleaning should be performed as often as is required to remove any dirt, salt and pollutants.

Stratco Handi-Sheds are produced from the highest quality materials and will provide many years of service, refer to the 'Selection Use and Maintenance' brochure for more information on how to get the best out of your product.

